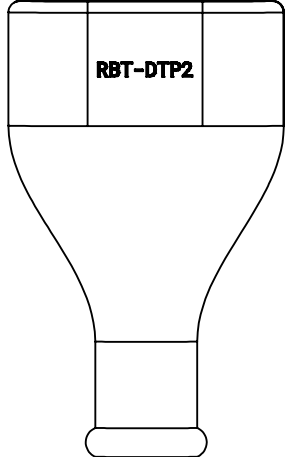


2

1

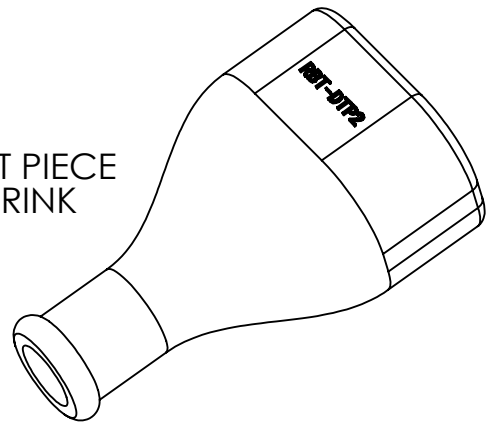
B

B

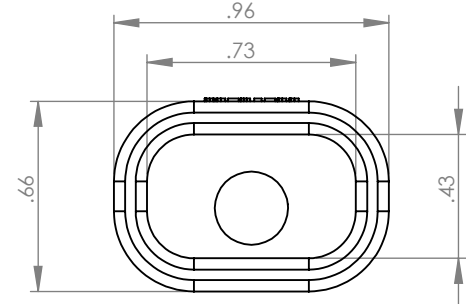
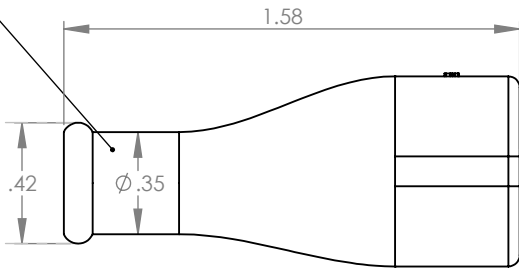
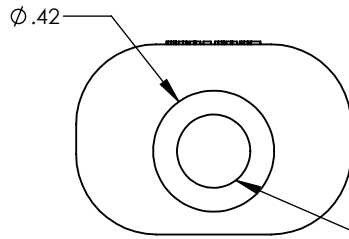


1

IF ADDITIONAL TAIL SEALING IS REQUIRED, A SHORT PIECE OF APPROPRIATELY SIZED ADHESIVE-LINED HEATSHRINK TUBING CAN BE USED.



1



A

A

NOTES:
 TO BE USED WITH 2 WAY DTP SERIES HOUSINGS THAT USE THE INEGRATED SHRINK BOOT ADAPTER MODIFICATION.
 MOD CODES :
 • CE09
 • EE01
 PLEASE REFER TO THE CONNECTOR MFG DATASHEETS FOR THE FULL LIST OF MOD CODES

PROPRIETARY AND CONFIDENTIAL
 THE INFORMATION CONTAINED IN THIS DRAWING IS THE SOLE PROPERTY OF PROWIREUSA, LLC. ANY REPRODUCTION IN PART OR AS A WHOLE WITHOUT THE WRITTEN PERMISSION OF PROWIREUSA, LLC IS PROHIBITED.
 COMMENTS:
 • INTENDED FOR GENERAL AUTOMOIVE AND INDUSTRIAL USES.
 • RESITS COMMON AUTOMOTIVE FLUIDS
 TEMP -40 °C-125°C
 APPLICATION AUTOMOTIVE / INDUSTRIAL

UNLESS OTHERWISE SPECIFIED:
 DIMENSIONS ARE IN INCHES
 TOLERANCES:
 FRACTIONAL \pm
 ANGULAR: MACH \pm BEND \pm
 TWO PLACE DECIMAL \pm
 THREE PLACE DECIMAL \pm

INTERPRET GEOMETRIC TOLERANCING PER:

NAME	DATE
DRAWN	CJK 11/1/2024
CHECKED	JD 11/1/2024
MATERIAL	FLEXIBLE RUBBER
FINISH	MATTE BLACK
DO NOT SCALE DRAWING	

TITLE:
**DEUTSCH DTP SERIES
 2 WAY RUBBER BOOT**



SIZE	DWG. NO.	REV
A	RBT-DTP2	0
SCALE: 1.5:1	WEIGHT: .0118 LBS	SHEET 1 OF 1

2

1